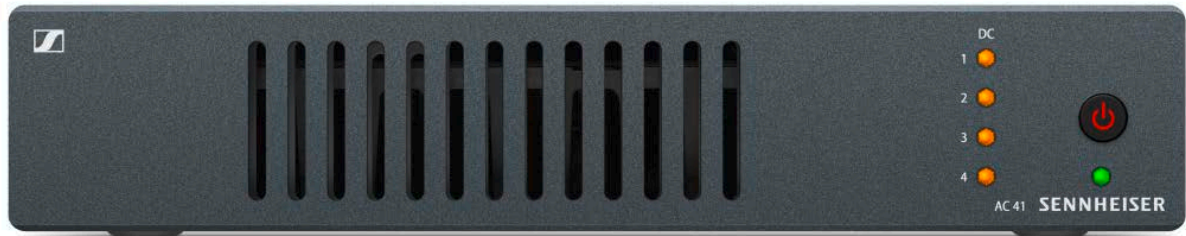




AC 41

Active antenna combiner



FEATURES

- Up to 4 wireless stereo transmitters using one antenna
- Power supply via BNC cables ensures efficient powering, no need for additional power supply units for the SR IEM G4
- Compatible with ew G4 and ew G3 systems

Active antenna combiner for evolution wireless G4 systems. The AC 41 operates up to four wireless stereo transmitters from the ew series using one shared antenna. Power is supplied to the SR IEM G4 transmitters over the BNC cables via NT 3-1 power supply (included with the AC 41), making separate power supplies for the transmitters obsolete.

PRODUCT VARIANTS

AC 41-EU	470 - 870 MHz	Art. no. 508243
AC 41-UK	470 - 870 MHz	Art. no. 508295
AC 41-US	470 - 608 MHz	Art. no. 508244

ACCESSORIES

GA 3	rack mount set	Art. no. 503167
A 1031-U	passive omni-directional antenna	Art. no. 004645
A 2003-UHF	passive directional antenna	Art. no. 003658

DELIVERY INCLUDES

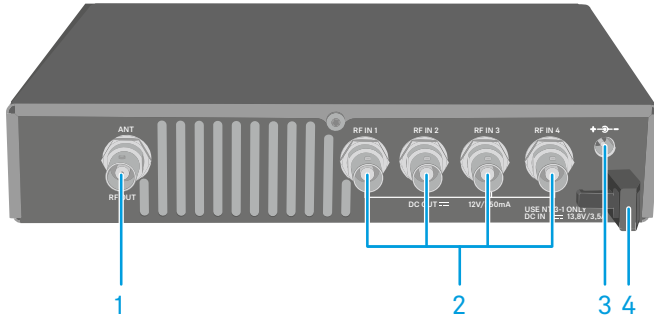
- AC 41 antenna combiner
- NT 3-1 power supply
- 4 BNC cables, 50 Ω , 50 cm
- quick guide
- safety guide



AC 41

Active antenna combiner

CONNECTIONS

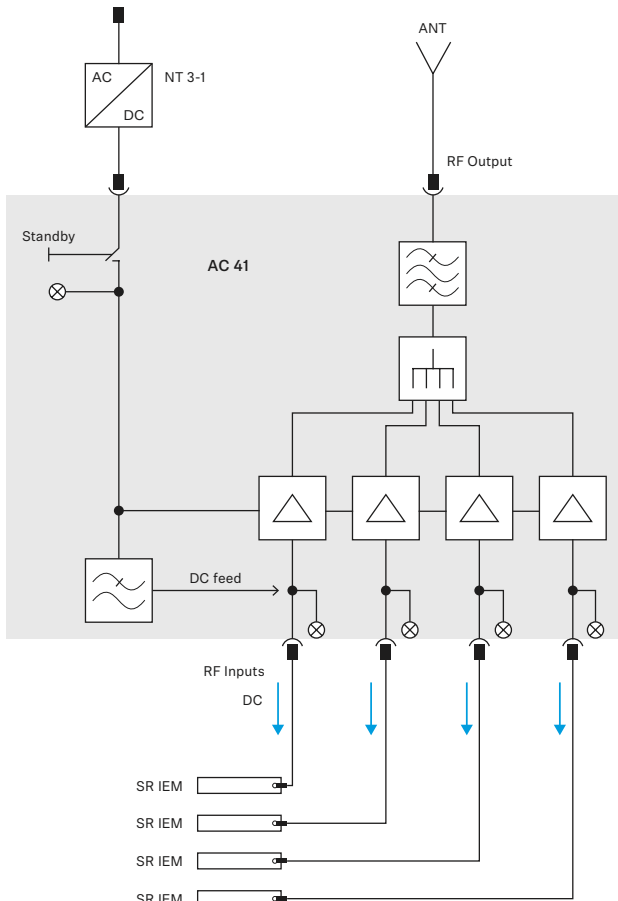


1. **RF OUT** BNC socket
Antenna output
2. **RF IN 1** to **RF IN 4** BNC sockets
Antenna inputs with **DC OUT**
3. **DC IN** socket
To connect the NT 3-1 power supply unit
4. Strain relief for the cable of the power supply unit

SPECIFICATIONS

Frequency ranges	
AC 41-EU/UK:	470 - 870 MHz
AC 41-US:	470 - 608 MHz
Transmission loss	0 dB (± 1 dB)
RF input power	max. 30 mW per input
Impedance	50 Ω
Power supply	13.8 V DC (with tabletop power supply unit NT 3-1)
Total power consumption	max. 3.4 A (with connected transmitters)
Transmitter power supply on RF IN 1 to RF IN 4	11.4 V DC (protected against reverse supply), 350 mA
Relative air humidity	5 to 95 %
Temperature range	
Operation:	-10 °C to +55 °C (14 °F to 131 °F)
Storage:	-20 °C to +70 °C (-4 °F to 158 °F)
Dimensions	approx. 212 x 168 x 43 mm
Weight	approx. 1470 g

BLOCK DIAGRAM





AC 41

Active antenna combiner

DIMENSIONS

